

HEADSAIL MEASUREMENT FORM

We require the following information and measurements to enable us to ensure a perfect fit for your new sail. Please note that if asked for max dimensions or max hoist, we will deduct a suitable amount for stretch. Do not measure sails using a rope. It is advisable to use a long fiberglass tape.

CUSTOMER NAME: _____

BOAT TYPE: _____

RIG TYPE: FRACTIONAL OR MASTHEAD (circle)

HOW TO COMPLETE THIS FORM:

Either measure existing sail or enter rig dimensions

EXISTING SAIL

Pull sail tight for measurement. Ensure each length is a straight line measurement from head to tack and clew.

MAX LUFF	MAX LEECH	MAX FOOT	LP*
m	m	m	m

* The shortest diagonal distance between the clew and the luff
Attach at clew, sweep measure in arc at luff.

MEASURE YOUR RIG

Attach tape measure to genoa halyard and maximum hoist to top block.

1. Take measurement to deck for **(I)**
Take measurement direct down to side deck. m

2. Now measure max Luff length **(A)**
Take measurement to tack pin on furler. m

3. Deck Sheer **(D)**
Whilst tape measure is still at full hoist measure down to your track ends at the front and back (note tape measure may need to bend around side stays)

TRACK FRONT	m
TRACK BACK	m

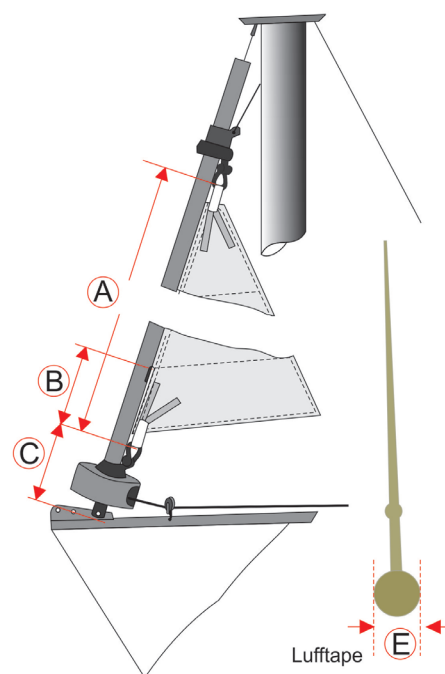
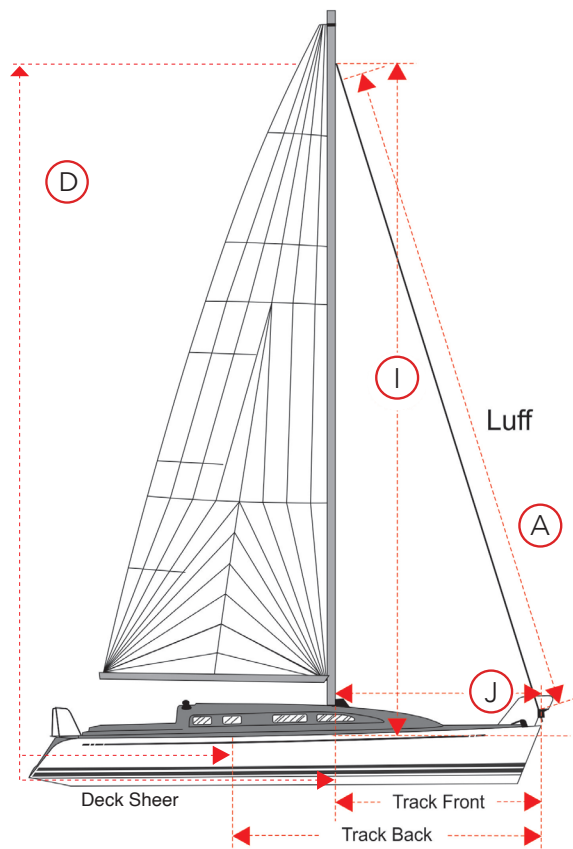
4. Track position from tack
Whilst tape measure is attached to tack pin at bow, measure your sheeting track positions to front and back IN STRAIGHT LINE.

TRACK FRONT	m
TRACK BACK	m

5. Now measure **(J)** length.
Drop halyard, remove tape measure and attach to forestay intersection at bow. Measure length from this position to front of mast. m

SAIL OPTIONS (circle)

- Sunbrella UV - please confirm colour with sailmaker.
- Foam Luff Yes/No
- UV to Port or Starboard
- Hanks Yes/No If Yes: Forestay Diameter



TACK DETAILS

(B) Sail insertion height	mm
(C) Deck to top of shackle	mm
(E) Diameter of luff tape*	mm

*If measuring groove on foil deduct 1mm.